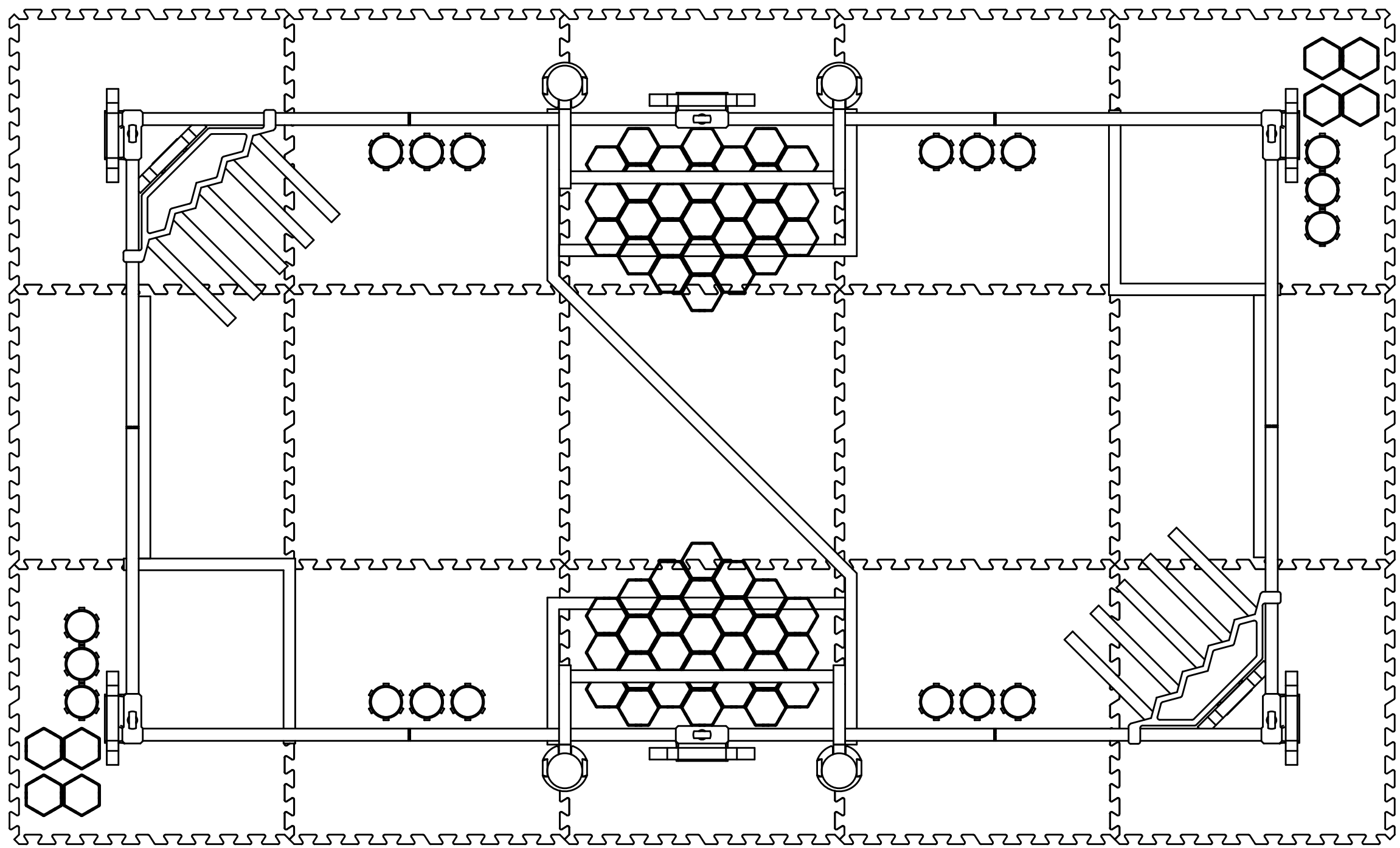


4

3

2

1



D

D

C

C

B

B

A

A

Please Follow EMPTY FIELD DRAWINGS to build the field perimeter.

TITLE		Hive Rush Field	
SIZE	B	WYOMING PUBLIC SCHOOLS ROBOTICS	
SCALE	1:10	SHEET	1 of 13

4

3

2

1

4

3

2

1

D

D

C

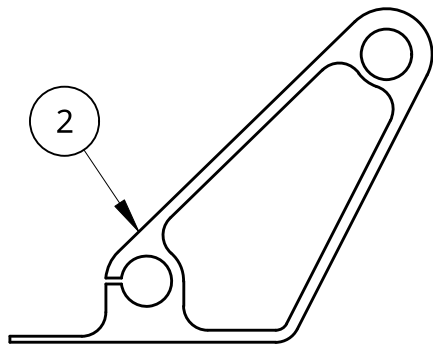
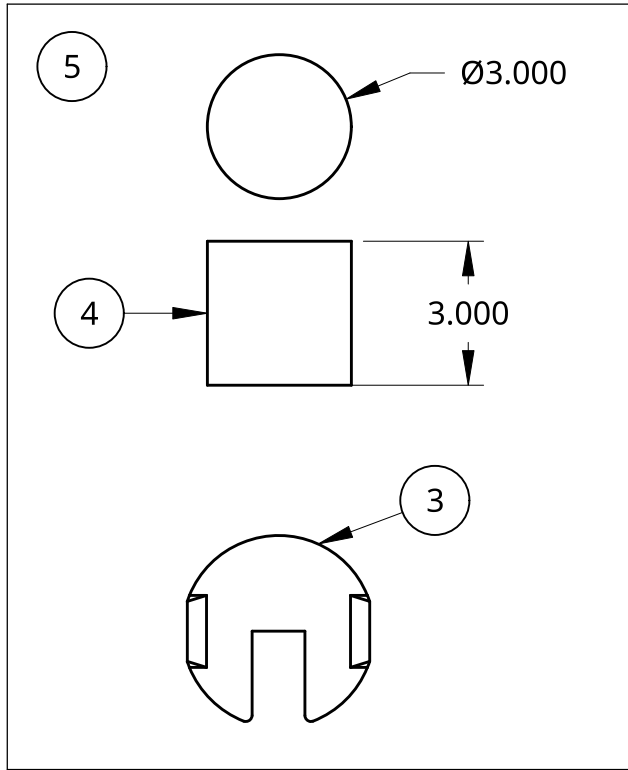
C

B

B

A

A



ITEM NO.	ITEM	QNT
1	AndyMark HIPS Pipe (am-5107) Or 0.75 Schedule 40 PVC	1
2	Landing Bar Bracket (3D Print)	2
3	Weight Base (3D Print)	2
4	Weight (Steel)	2
5	Assembled Weight	2

Assemble **2** of these. One set of brackets **BLUE**, and the other **RED**.

4

3

2

1

4

3

2

1

D

D

C

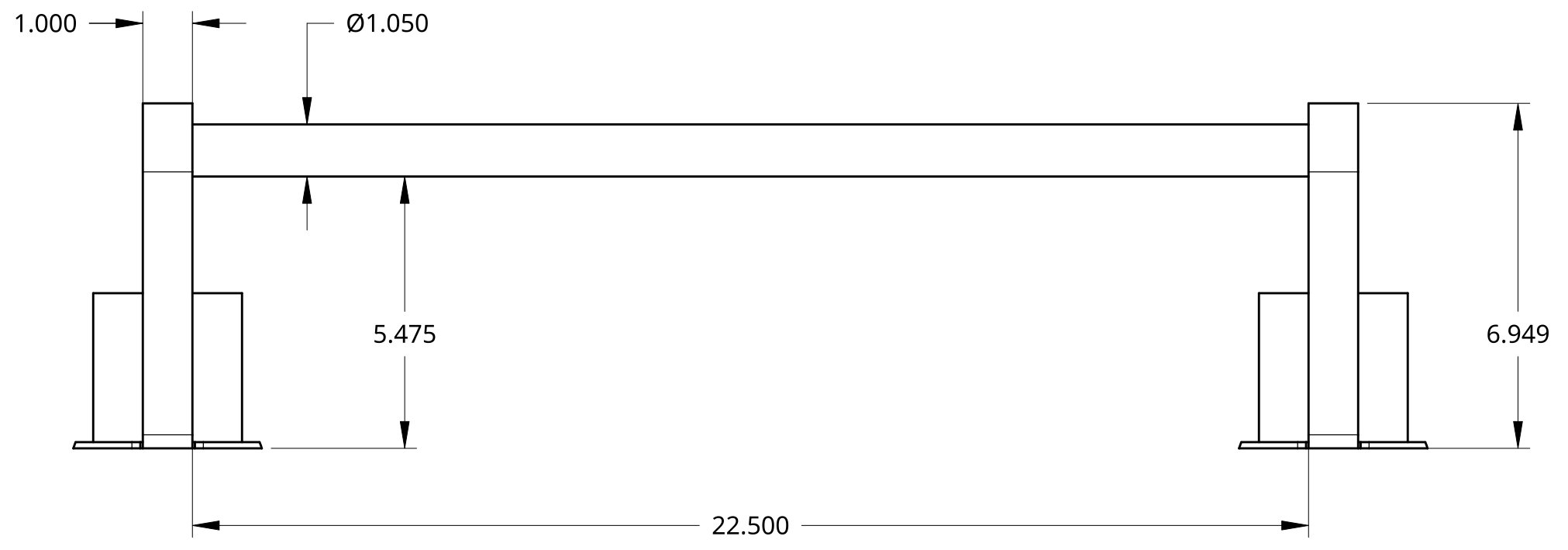
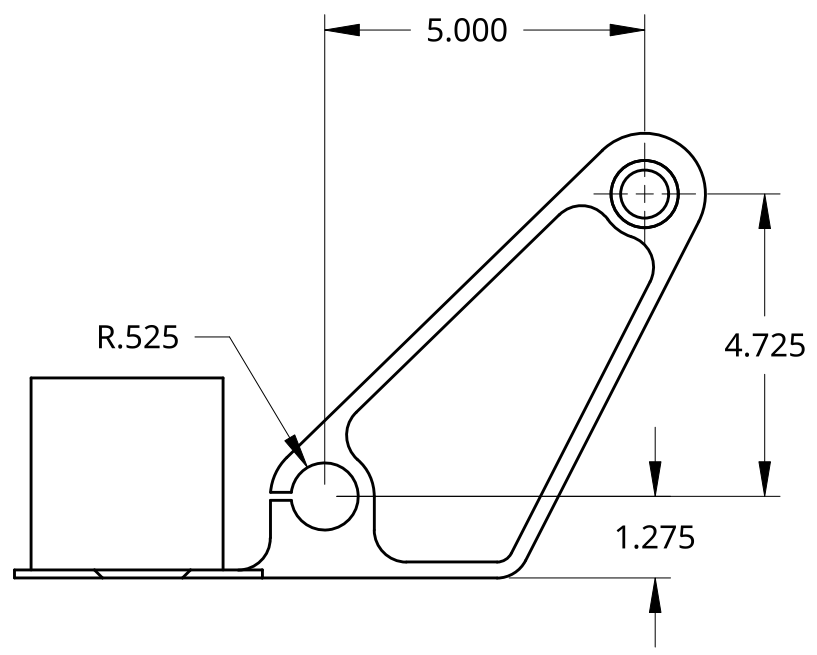
C

B

B

A

A



4

3

2

1

4

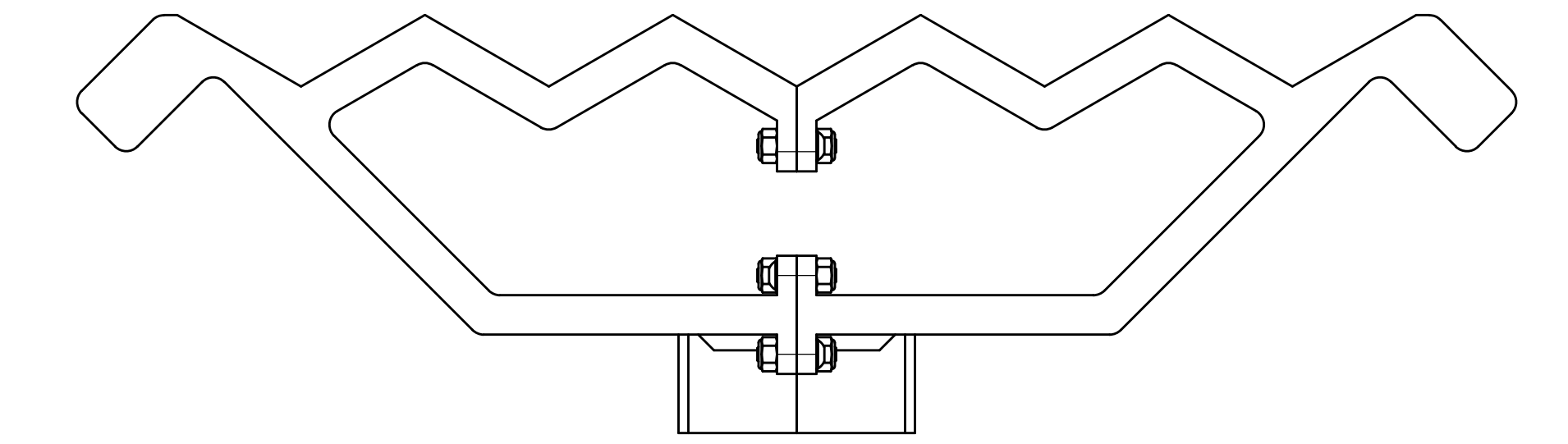
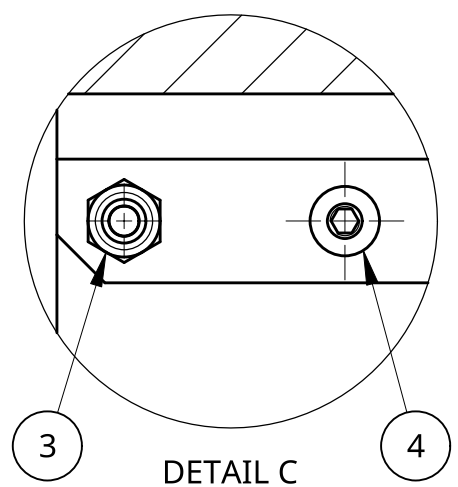
3

2

1

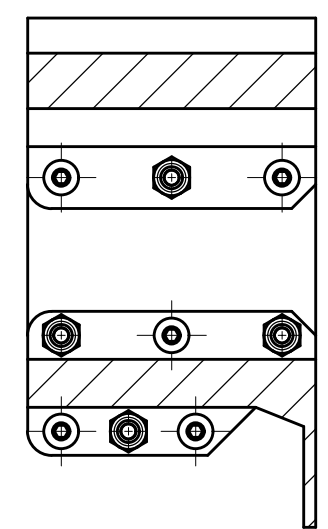
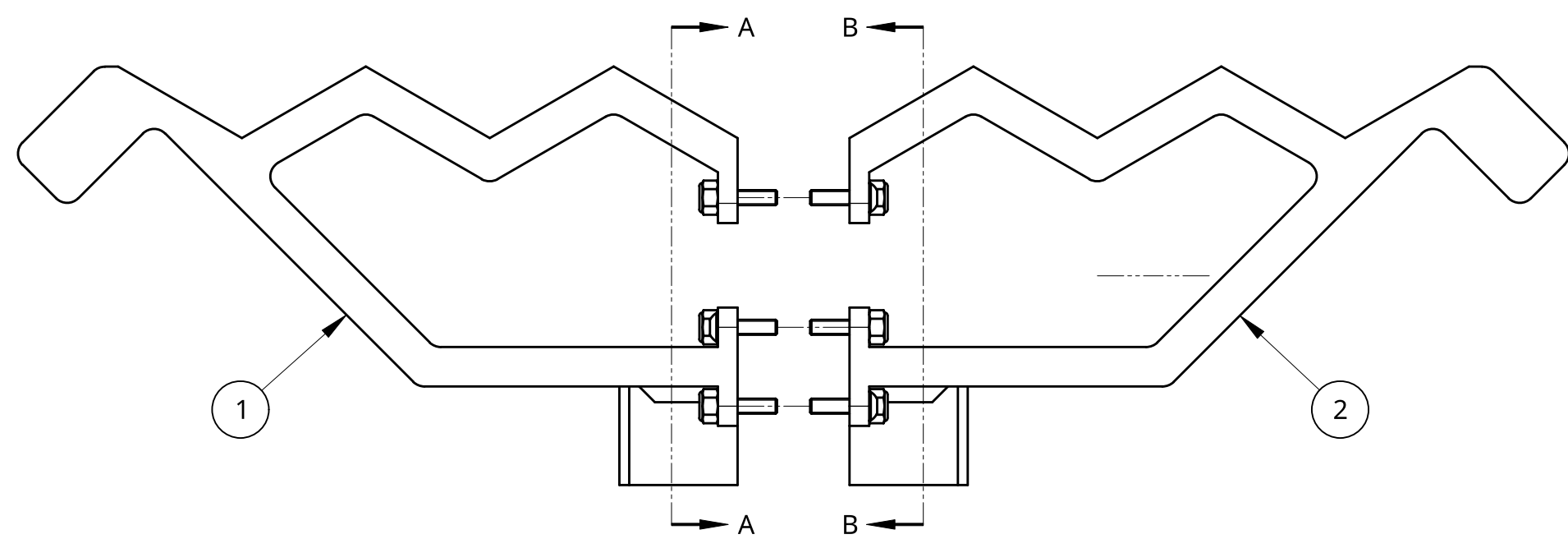
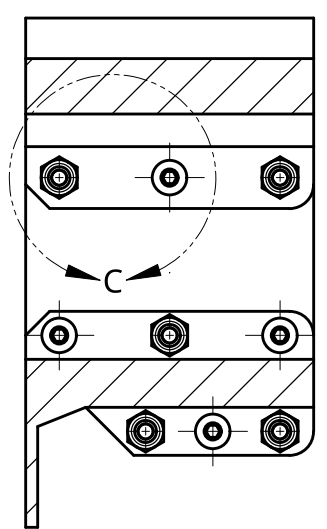
D

D



C

C



B

B

Alternate Screw and Nut Directions

Alternate Screw and Nut Directions

A

A

ITEM NO.	ITEM	QNT
1	Hive Core Split Left (3D Print)	1
2	Hive Core Split Right (3D Print)	1
3	#10-32 Nylon Nut	3 (Min) or 9 (Max)
4	#10-32 x 3/4 Button Head Screw	3 (Min) or 9 (Max)

Assemble 2 of these. One set **BLUE**, and the other **RED**.

Alternitively, a fully printed one can be created.

4

3

2

1

4

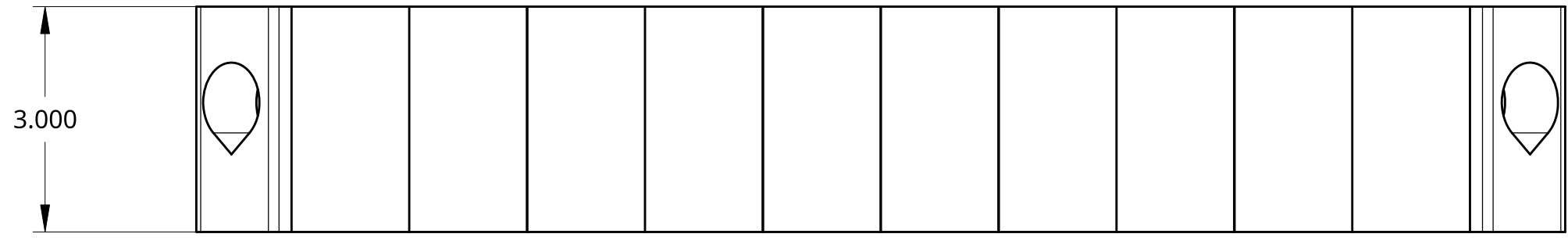
3

2

1

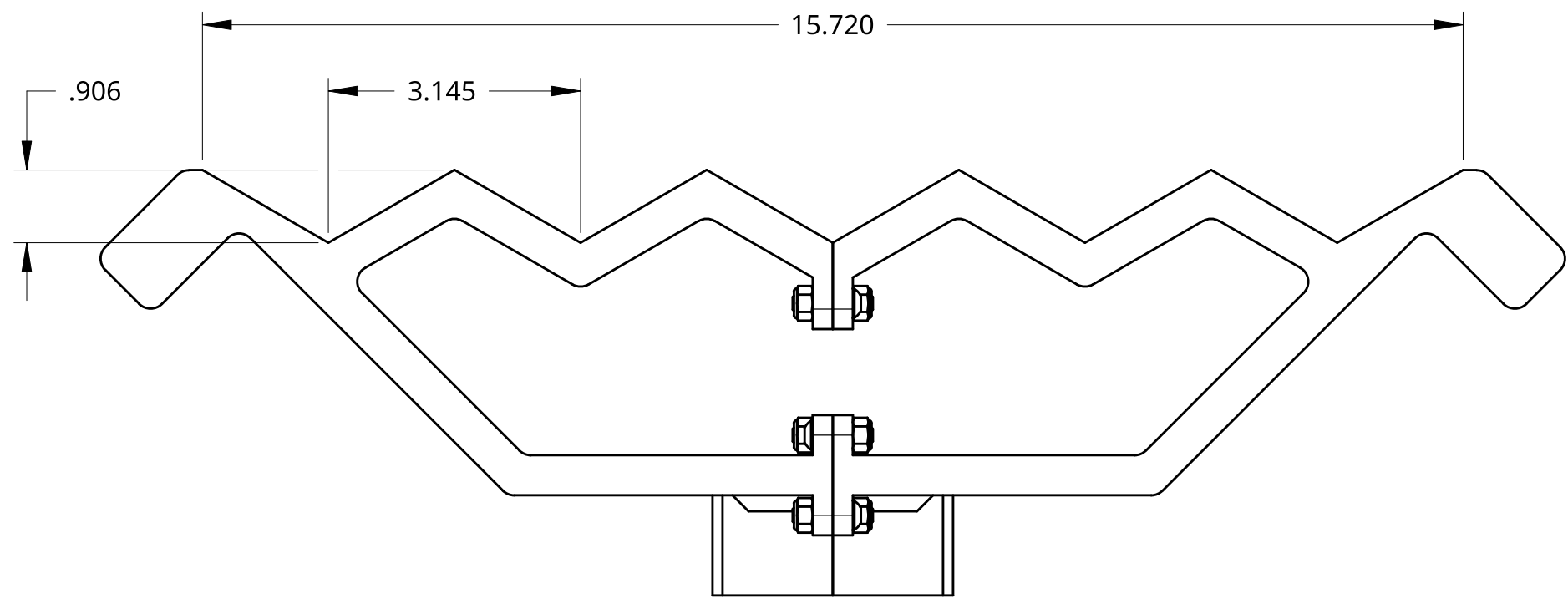
D

D



C

C



B

B

A

A

4

3

2

1

DWG NO.	Hive Core	SIZE	B	SCALE	1:2	SHEET	5 of 13	REV.
---------	-----------	------	---	-------	-----	-------	---------	------

4

3

2

1

D

D

C

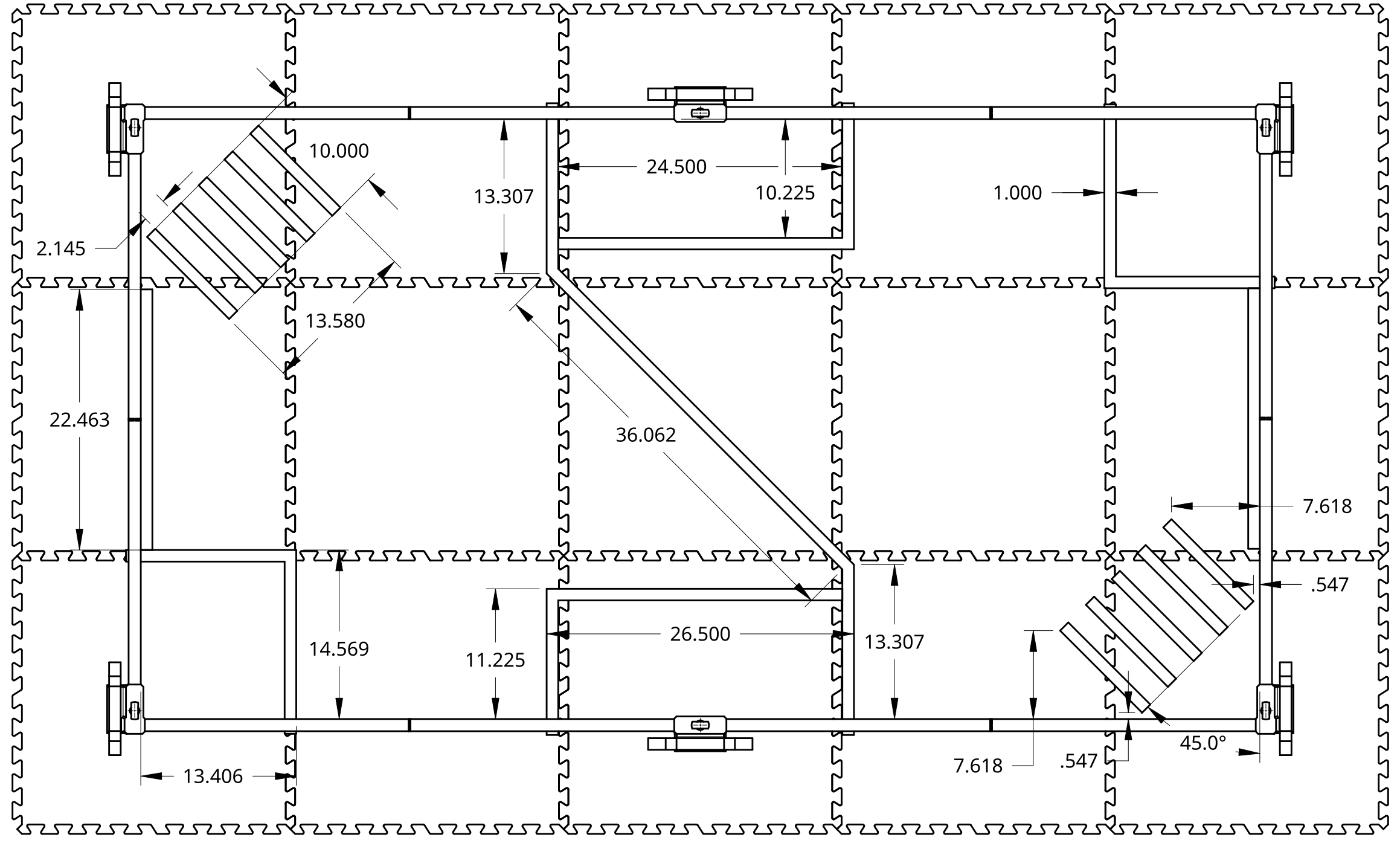
C

B

B

A

A



All Field tape is 1 inch gaffers tape, BLACK, RED, and BLUE

4

3

2

1

4

3

2

1

D

D

C

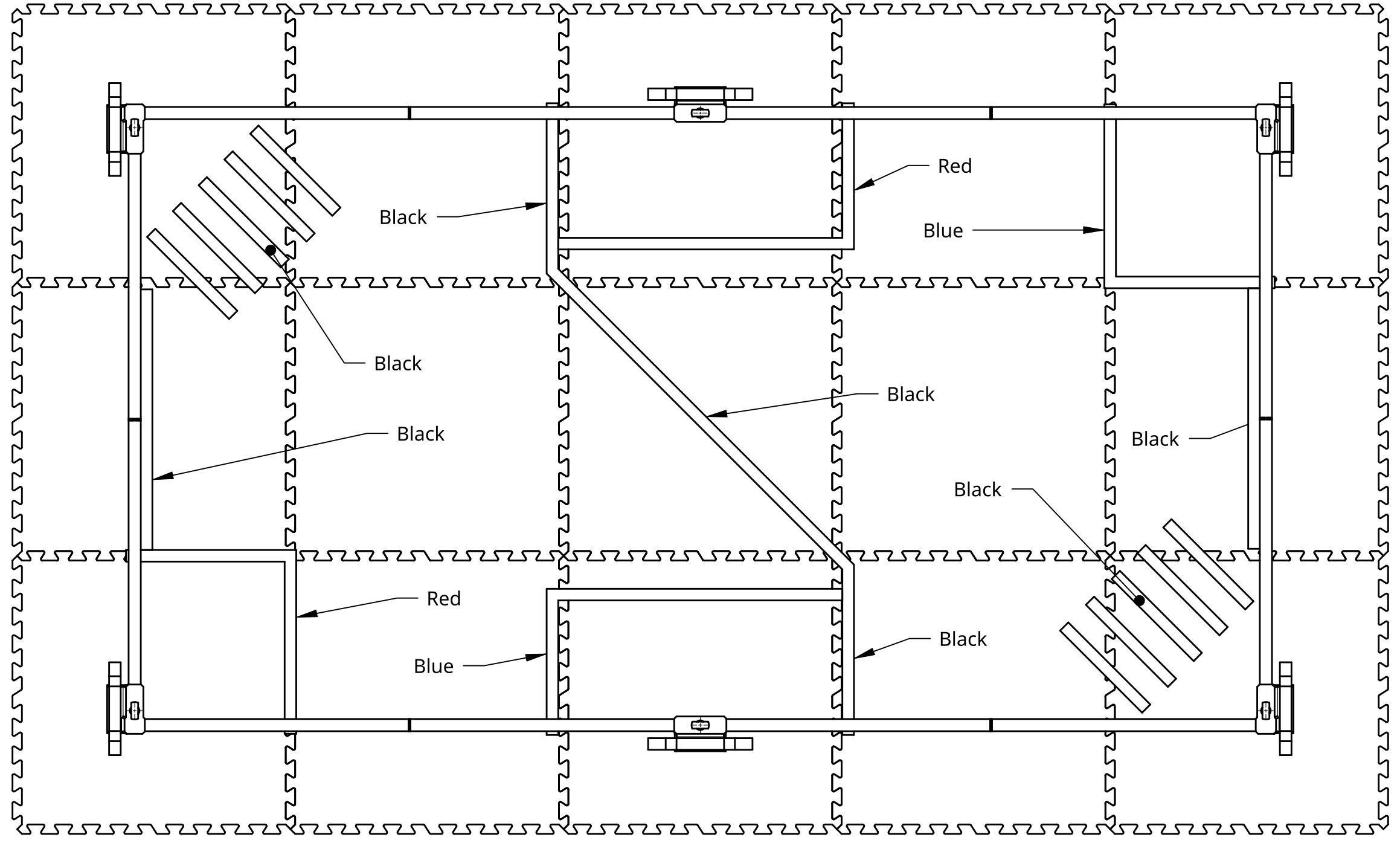
C

B

B

A

A



All Field tape is 1 inch gaffers tape, BLACK, RED, and BLUE

DWG. NO.	Tape Markings - Colors	SIZE	B	SCALE	1:10	SHEET	7 of 13	REV.
----------	------------------------	------	---	-------	------	-------	---------	------

4

3

2

1

4

3

2

1

D

D

C

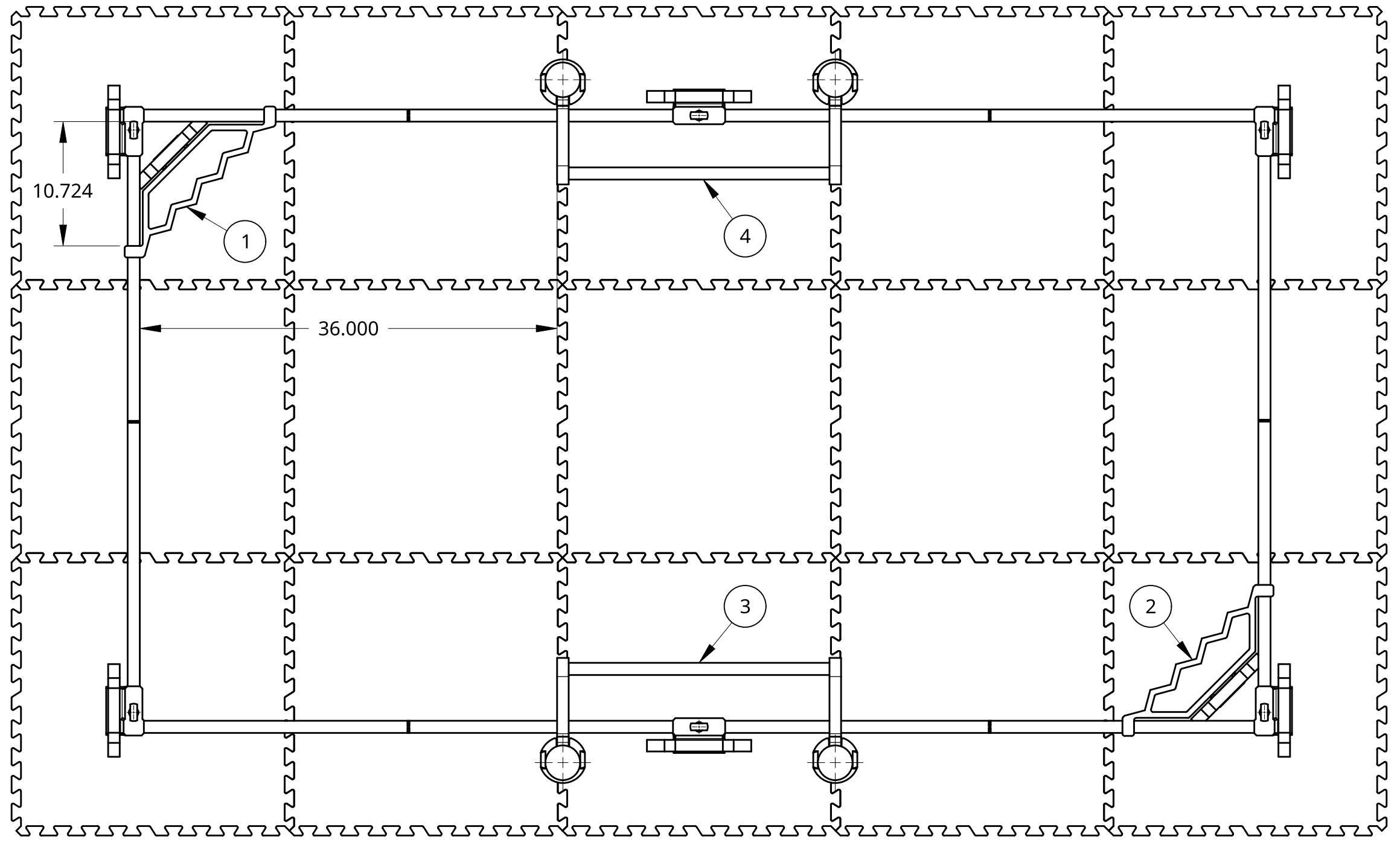
C

B

B

A

A



ITEM NO.	ITEM	QNT
1	Hive Core Blue	1
2	Hive Core Red	1
3	Landing Bar Blue	1
4	Landing Bar Red	1

4

3

2

1

4

3

2

1

D

D

C

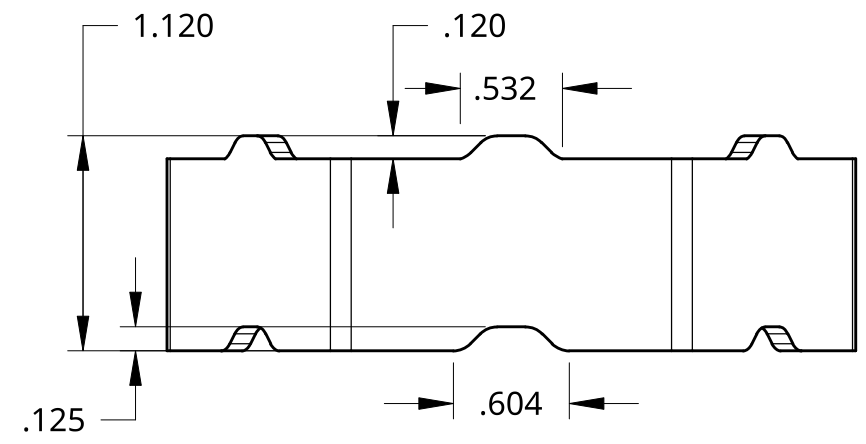
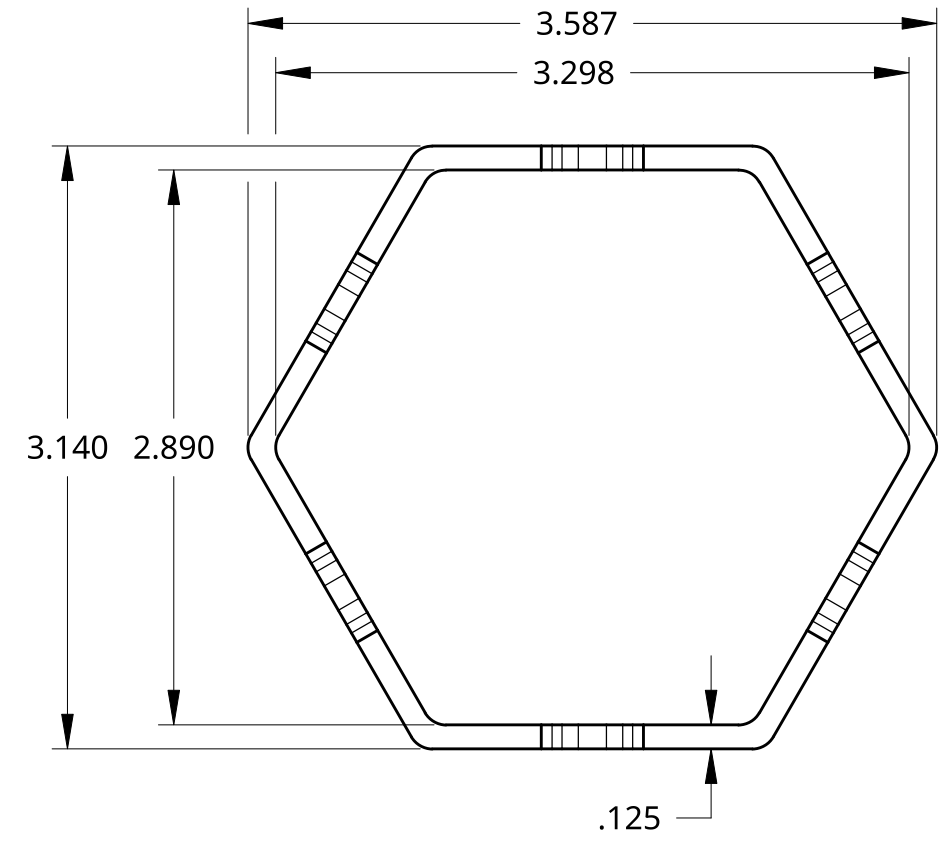
C

B

B

A

A



3D Printed - Yellow

DWG NO.	Honey Comb	SIZE	B	SCALE	1:1	SHEET	9 of 13	REV.
---------	------------	------	---	-------	-----	-------	---------	------

4

3

2

1

4

3

2

1

D

D

C

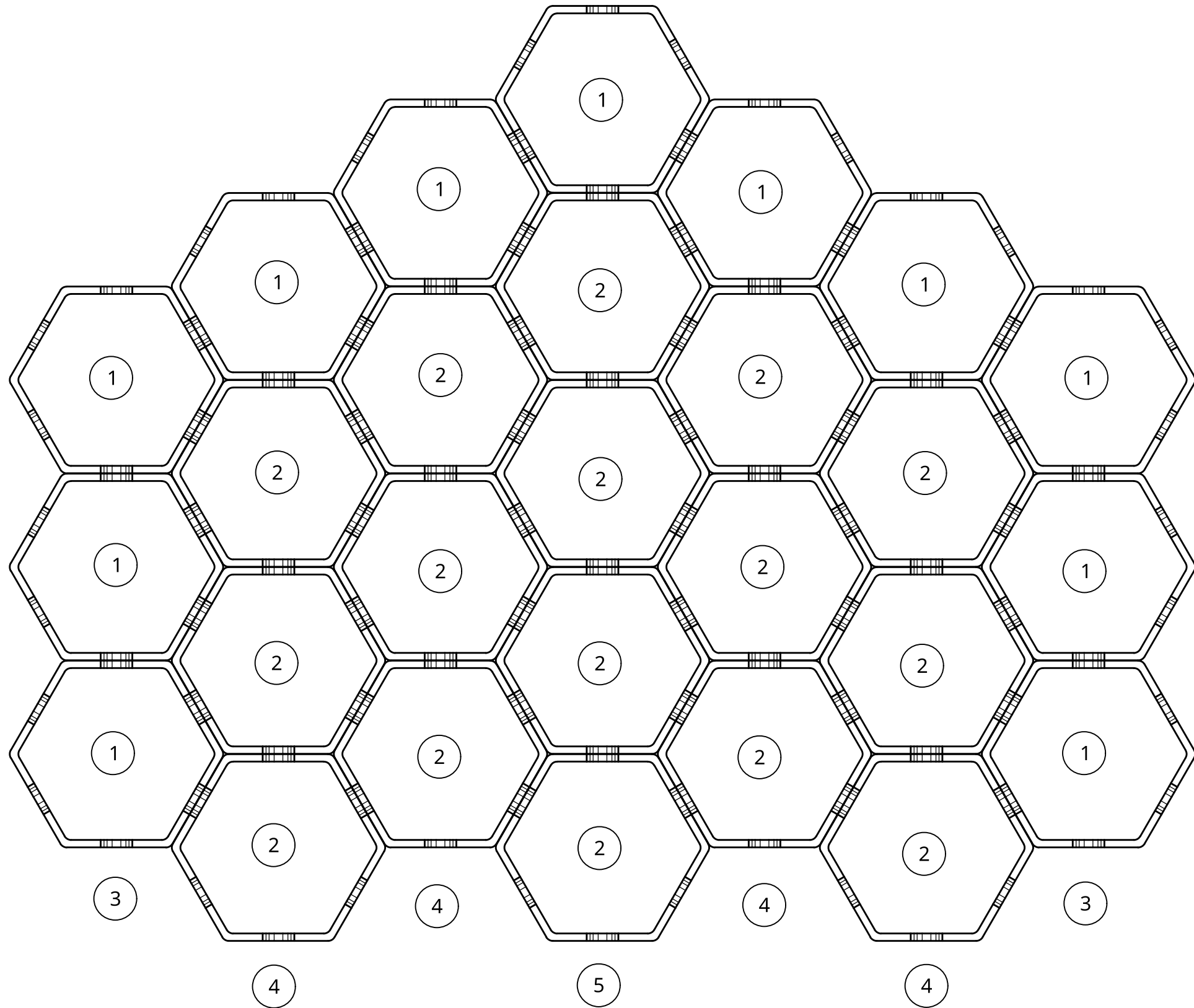
C

B

B

A

A



ITEM	QNT
Honey Comb (3D Print)	28

4

3

2

1

4

3

2

1

D

D

C

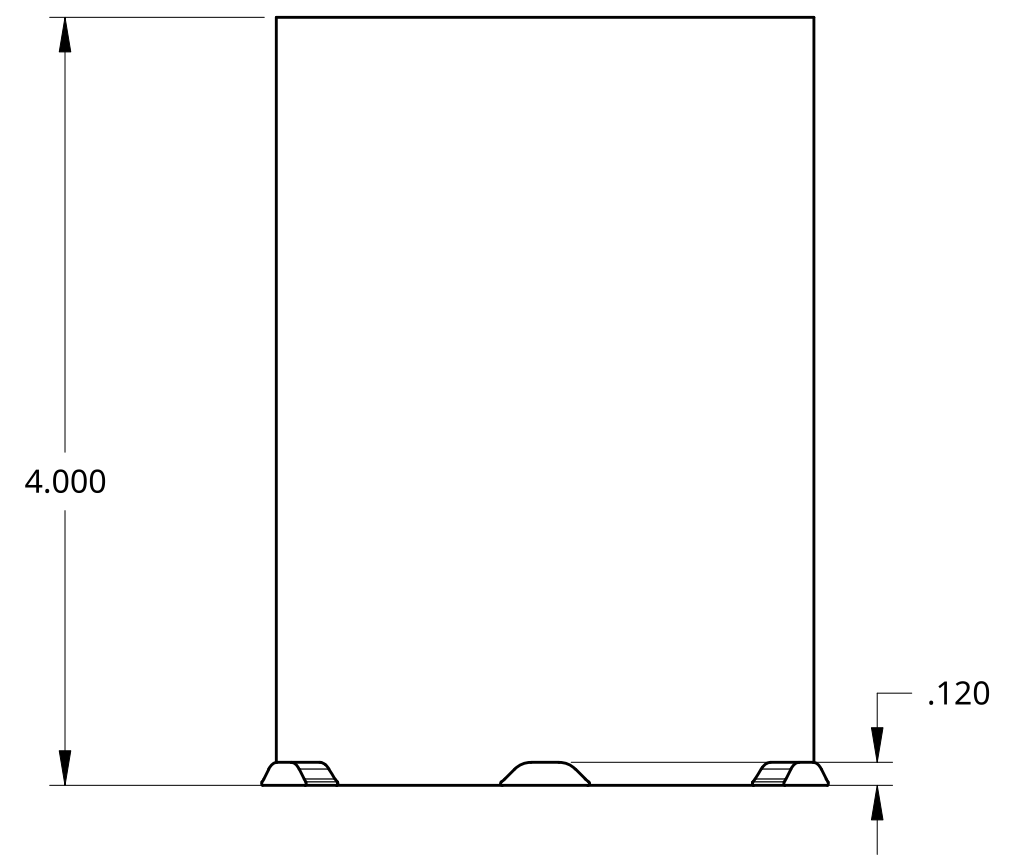
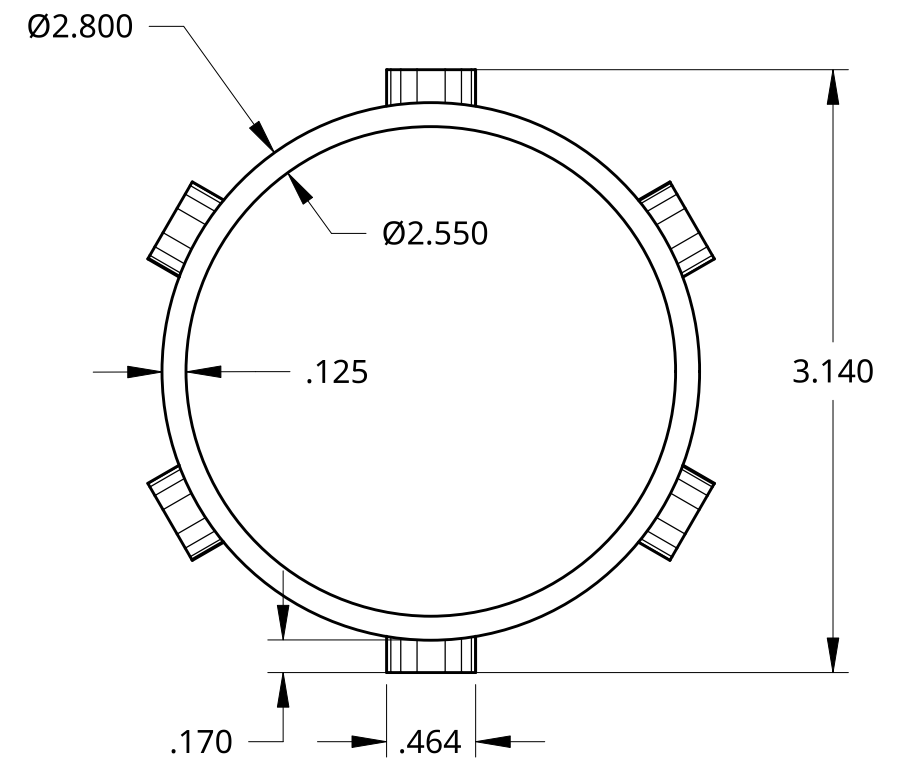
C

B

B

A

A



3D Printed - White

DWG NO.	Structure	SIZE	B	SCALE	1:1	SHEET	11 of 13	REV.
---------	-----------	------	---	-------	-----	-------	----------	------

4

3

2

1

4

3

2

1

D

D

C

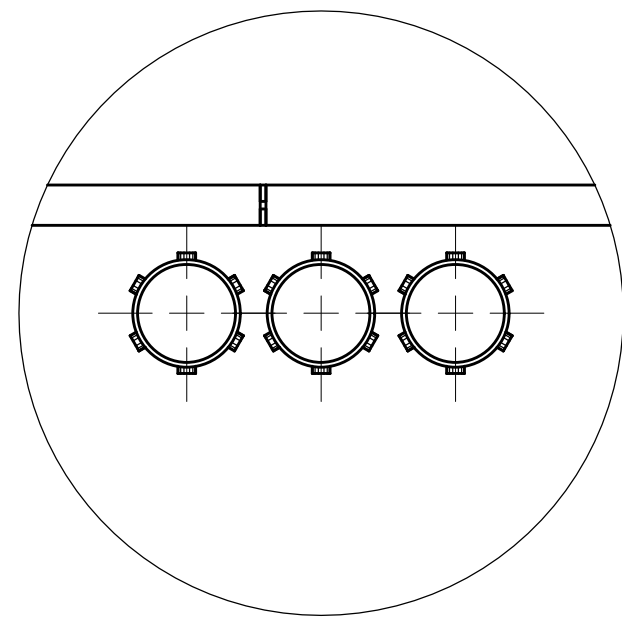
C

B

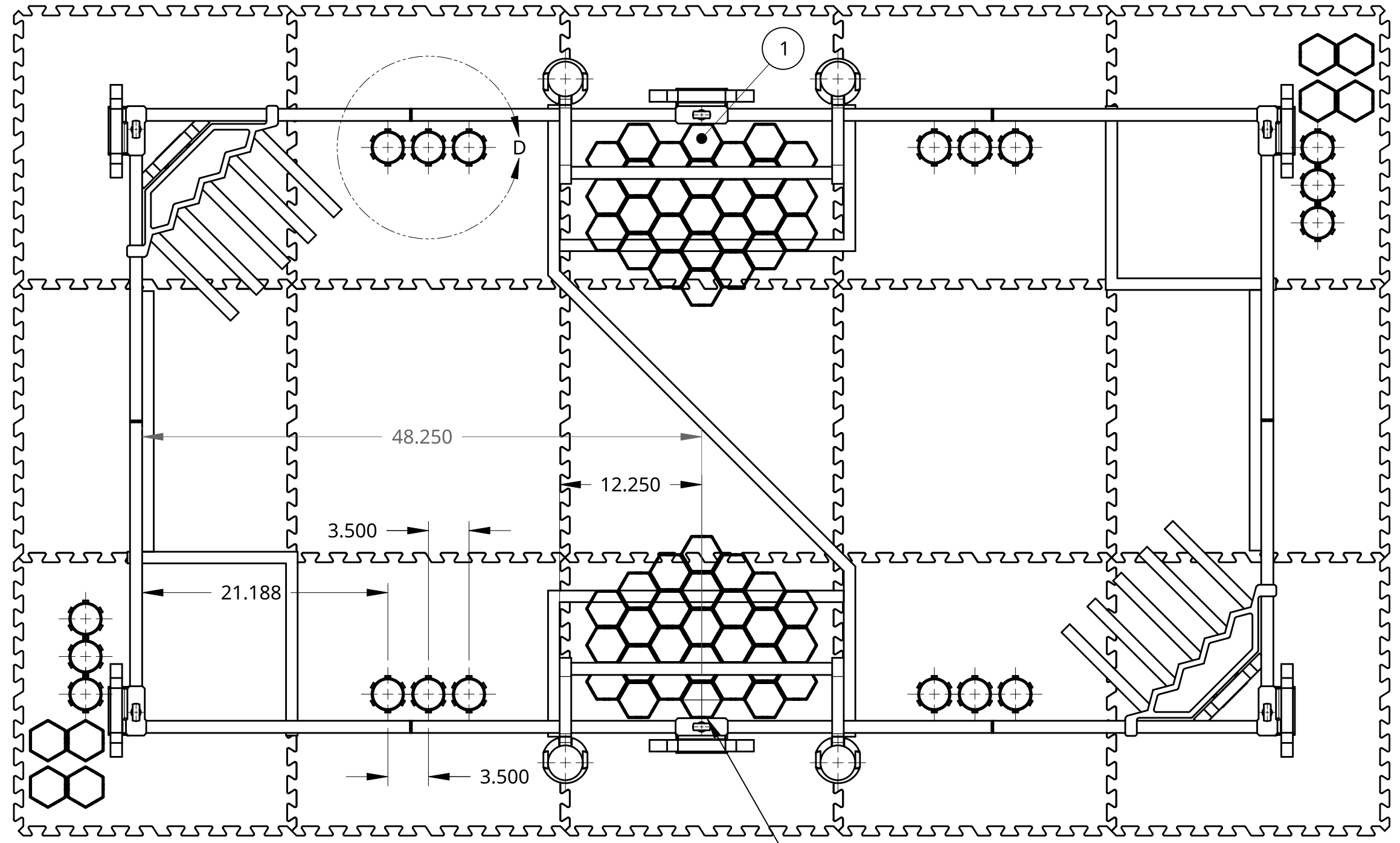
B

A

A



2 DETAIL D
SCALE 1:5



Middle On Wall

ITEM NO.	ITEM	QNT
1	Field Honey Comb Setup	2 Sets (56)
2	Structure	12

4

3

2

1

4

3

2

1

D

D

C

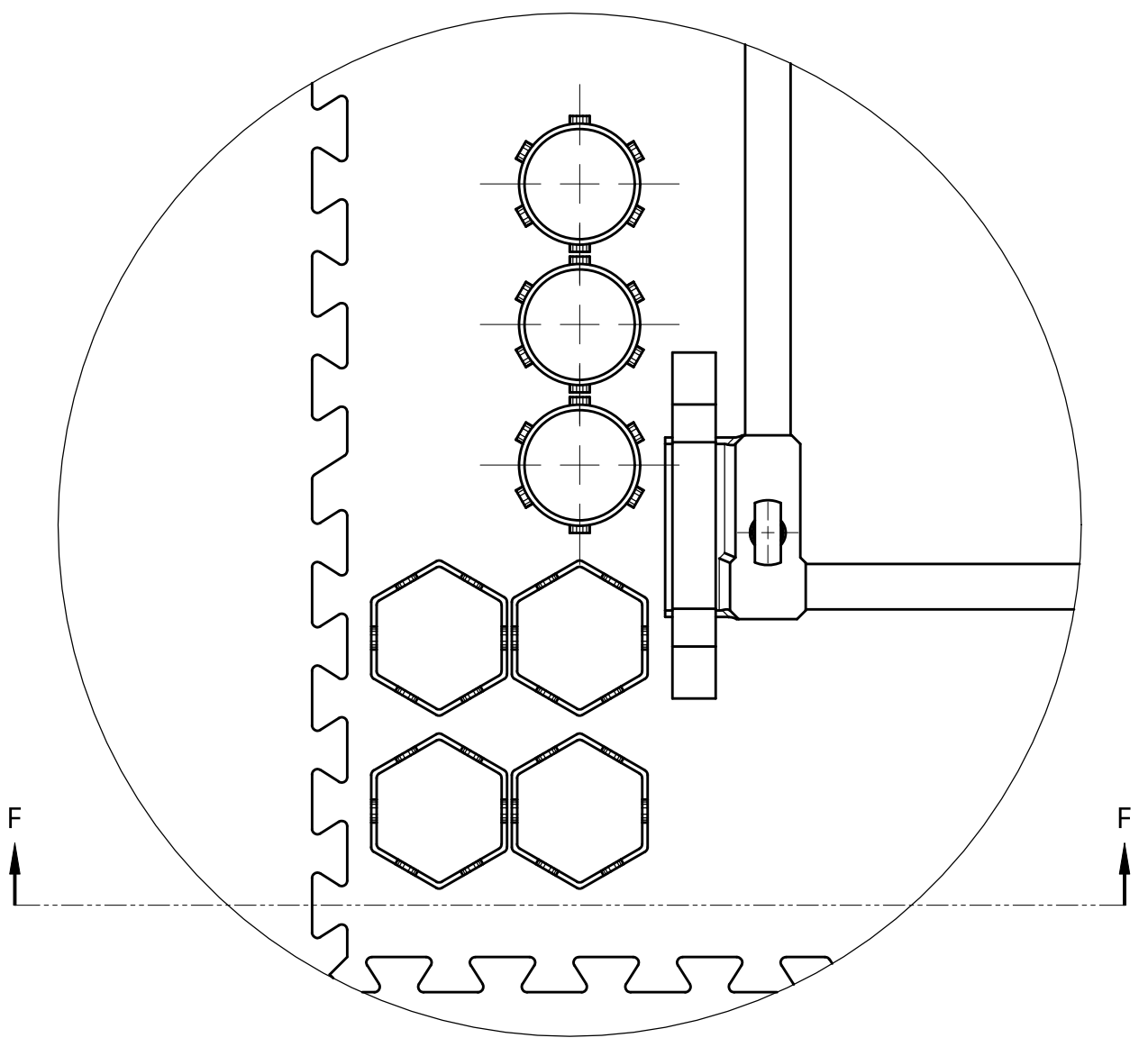
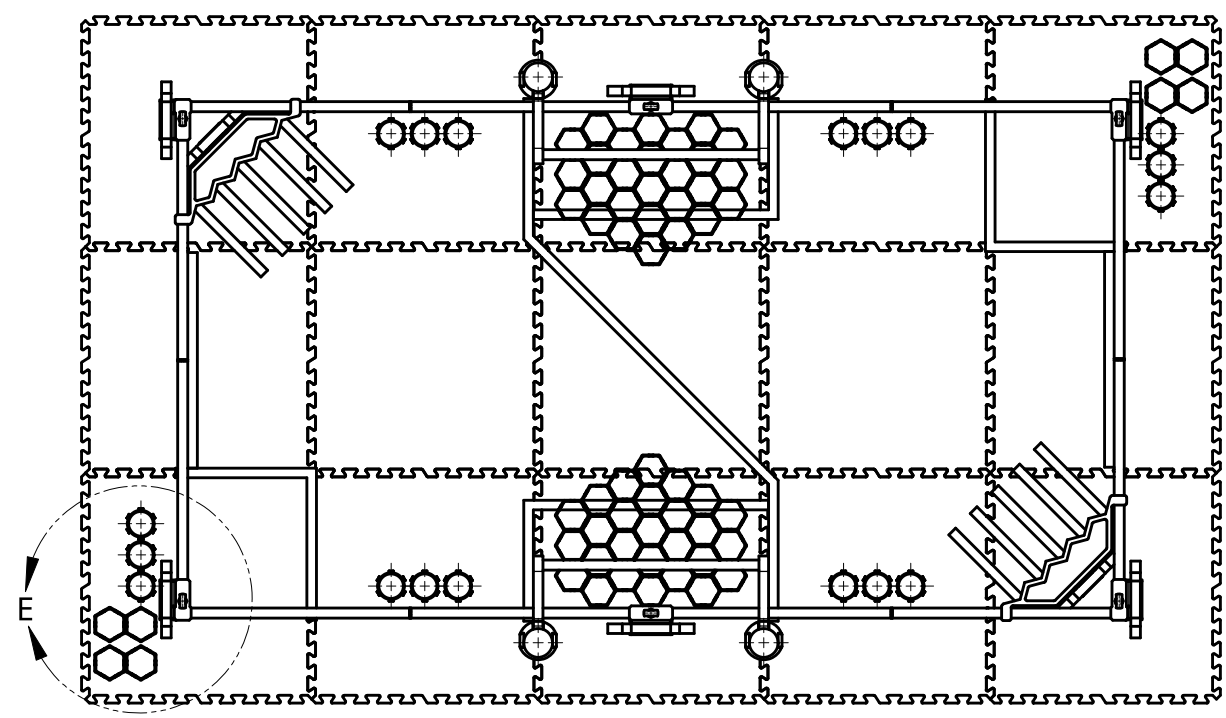
C

B

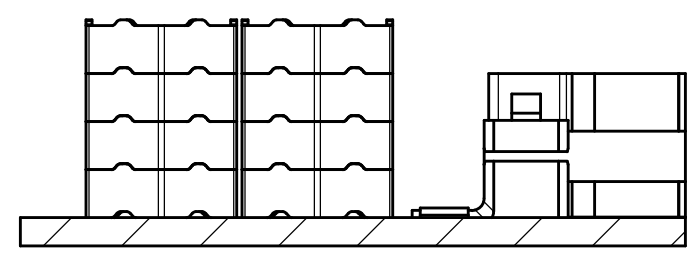
B

A

A



DETAIL E
SCALE 1:4



SECTION F - F
SCALE 1:4

ITEM NO.	ITEM	QNT
1	Honey Comb	16 (32 overall)
2	Structure	3 (6 overall)

4

3

2

1